

Patriot P330 Low Lift Rear Low



Designed for heavy load applications, the Patriot P330 is capable of lifting loads up to 8,000 lbs.

Dual differential bidirectional drive units allow for a great deal of flexibility in mobility and speed. The suspension system keeps the drive wheels in contact with the floor at all times. All wheels feature extra thick polyurethane tread for long life and quiet operation. Electromechanical brakes are included as an integral part of the permanent magnet motor and sealed gearbox assembly. Each Patriot P330 is equipped with a 48-volt battery power source, which is sized for more than a full shift of operation. Vehicle object detection sensors reduce vehicle speed and stop vehicle travel when an obstruction is in the travel path of the vehicle. This bumper safety protection technology - along with additional safety sensors - comes standard on all our AGVs, ensuring a safe work environment for plant personnel.

Features

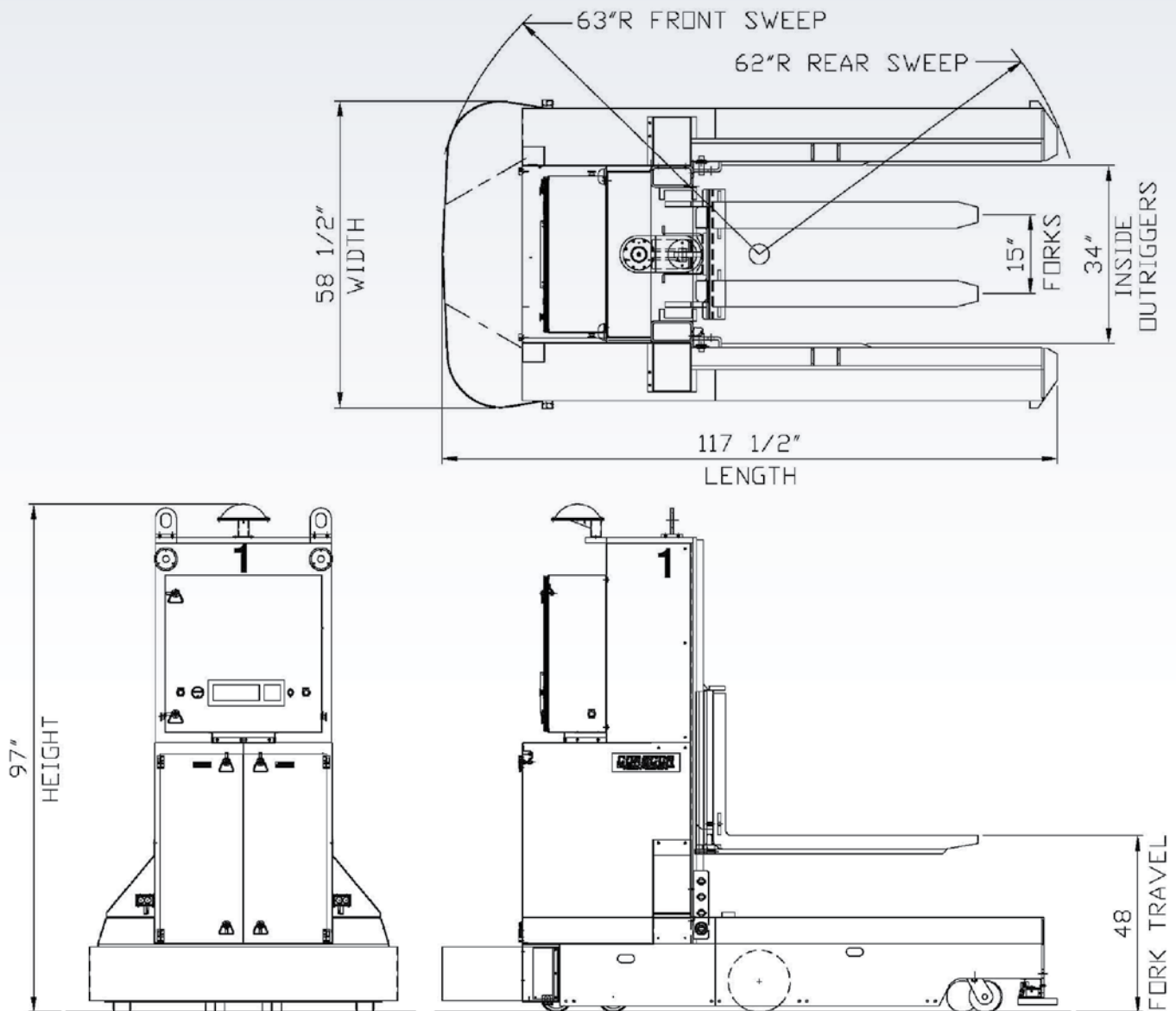
- ▶ Electro/Mechanical Lift Capable of Handling Loads up to 8,000 lbs.
- ▶ Stainless Steel Covers.
- ▶ Bi-directional Dual Drive Wheel Unit.
- ▶ Permanent Magnet Motors.
- ▶ Swing Open Cabinet Design Provides Easy Access to the All Electrical Components.
- ▶ AGV Frame is of Welded Plate Construction.
- ▶ Corecon's Modular Control System separates AGV Functions, making Problem Diagnosis Quicker, Reducing AGV Downtime.
- ▶ AGV Safety Devices Meet and Exceed ANSI and OSHA Standards for AGVs.

Benefits

- ▶ Low Cost of Ownership
- ▶ Low Maintenance
- ▶ Speedy & Easy Access to All Major AGV Components
- ▶ Modular Design for Faster Diagnosis & Quick Repair
- ▶ Large Diameter Wheels for Efficient Operation and Long Life
- ▶ Opportunity Charging System Eliminates Battery Handling
- ▶ Simple AGV Deployment
- ▶ Variety of Tooling Available for Many AGV Applications

AGV Options

- ▶ Optical Communication
- ▶ Radio Communication
- ▶ Sealed Batteries
- ▶ Opportunity Charging
- ▶ Quick Charge Batteries
- ▶ Laser Bumper



Performance

Speed Forward:	200 ft./Min.Max
Speed Reverse (manual only):	100 ft/Min
Acceleration & Deceleration:	0-200 ft Min = 3 Sec. in 5 ft.
Rotate Vehicle 90 Degrees:	12 Sec.
Stopping and Repetitive Stopping Accuracy:	+/- 3/8 "
Minimum Cornering Radius:	36"
Fork Lifting Speed:	3.3 in/sec.
Lift Capacity:	8000 Lbs.
Battery Capacity (Standard):	560 Amp/Hr.

Size / Weight

Overall Length:	117.5"
Overall Width:	58.5"
Overall Height Mast Lowered:	97"

Forks

Width:	6"
Length:	48"
Fork Travel - Height from floor Max:	48"

